

## DC2-110 SERIES OPERATING INSTRUCTIONS

**INPUT RATINGS:** 18-36VDC, 12A

**OUTPUT RATINGS:** 110 Watts Maximum Total Continuous Output Power with 300 LFM Forced Air. Open Frame or with Chassis and Cover.  
80 Watts Maximum Total Continuous Output Power Convection Cooled. Open Frame or with Chassis and Cover.  
65 Watts Maximum Total Continuous Output Power Convection Cooled with Chassis and Cover.

<b>MODEL LISTING:</b>	<b>MODEL</b>	<b>OUTPUT 1</b>	<b>OUTPUT 2</b>	<b>OUTPUT 3</b>	<b>OUTPUT 4</b>
	DC2-110-4001	+3.3VDC/10A (1)	+5VDC/6A	+12VDC/2A	-12VDC/2A
	DC2-110-4002	+5VDC/10A (1)	+3.3VDC/6A	+12VDC/2A	-12VDC/2A
	DC2-110-4003	+5VDC/10A (1)	+3.3VDC/6A	+15VDC/2A	-15VDC/2A
	DC2-110-4004	+5VDC/10A (1)	-5VDC/6A	+12VDC/2A	-12VDC/2A
	DC2-110-4005	+5VDC/10A (1)	-5VDC/6A	+15VDC/2A	-15VDC/2A
	DC2-110-4006	+5VDC/10A (1)	+24VDC/2A	+12VDC/2A	-12VDC/2A
	DC2-110-4007	+5VDC/10A (1)	+24VDC/2A	+15VDC/2A	-15VDC/2A
	DC2-110-3001	+5VDC/10A (1)	+12VDC/3A		-12VDC/3A
	DC2-110-3002	+5VDC/10A (1)	+15VDC/2A		-15VDC/2A
	DC2-110-2001	+3.3VDC/10A (1)	+5VDC/6A		
	DC2-110-2002	+5VDC/10A (1)	-12VDC/5A		
	DC2-110-2003	+5VDC/10A (1)	+24VDC/6A		
	DC2-110-2004	+12VDC/5A	-12VDC/4A		
	DC2-110-2005	+15VDC/4A	-15VDC/3A		
	DC2-110-1001	+2.5VDC/22A (2)			
	DC2-110-1002	+3.3VDC/22A (2)			
	DC2-110-1003	+5VDC/22A (2)			
	DC2-110-1004	+12VDC/9.2A			
	DC2-110-1005	+15VDC/7.3A			
	DC2-110-1006	+24VDC/4.6A			
	DC2-110-1007	+28VDC/3.9A			
	DC2-110-1008	+48VDC/2.3A			

**NOTES:**

- Rated 8A maximum with convection cooling.
- Rated 16A maximum with convection cooling.
- Total current from Outputs 3 & 4 must not exceed 3A with convection cooling.
- Total current from Outputs 1 & 2 must not exceed 12A with convection cooling.
- A suffix may be added to the model number to indicate the following optional configurations: (CH-chassis, CO-cover, IO-isolated outputs, TS-terminal strip, BD- Blocking Diode).

**CLASSIFICATION:**

- Protection against electric shock – Class I.
- Protection against harmful ingress of water – IPXO (Non-protected), ordinary.
- Methods of sterilization – None.
- Suitability for use in an oxygen rich environment – End user responsibility, not evaluated.
- Mode of operation – Continuous.

**ENVIRONMENTAL:** For Indoor Use Only.  
No protective packaging required during transport.  
Operating Temperature- 0-50°C  
Storage Temperature- -40-85°C  
Operating / Storage Humidity- 0-95% RH non-condensing  
Operating Altitude- 3000m max.



### DECLARATION OF CONFORMITY

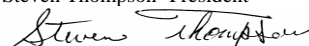
Manufacturer: Integrated Power Designs, Inc.  
Manufacturer's Address: 300 Stewart Road, Wilkes-Barre, PA 18706 USA

Declares all models listed above including all options are in compliance with the following European Community Directives:

#### **RoHS Directive 2011/65/EU of 8 June 2011**

In addition, all models are Certified to be in compliance with applicable requirements of UL 60950-1:2007, ANSI/AAMI ES60601:2005/(R) 2012, IEC 60950-1/A2:2013 and IEC 60601-1:2005/A1:2012 including all EU national deviations, CAN/CSA-C22.2 No. 60950-1-07, CAN/CSA- C22.2 No. 60601-1:2014, EN 60950-1:2006/A2:2013 and EN 60601-1:2006/A1:2013.

**BY:** Steven Thompson- President



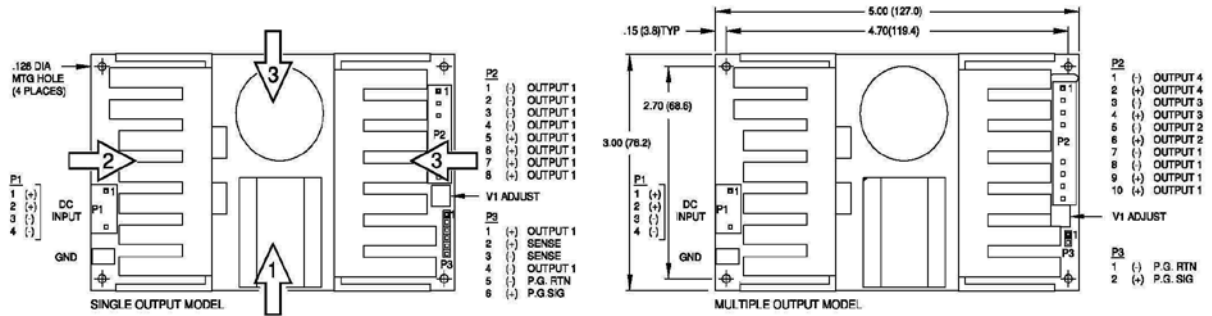
**PLACE:** Integrated Power Designs  
300 Stewart Road, Wilkes-Barre, PA 18706 USA

**DATE:** January 3, 2017

**EUROPEAN CONTACT:**  
CompuMess Elektronik GmbH  
Lise-Meitner-Strasse 1  
85716 Unterschleißheim  
Telephone: (089) 32 15 01-0

## DC2-110 SERIES OPERATING INSTRUCTIONS

- WARNING! SHOCK HAZARD:** Dangerous voltages are present on some components, printed circuit board traces and heatsinks.
- WARNING! RISK OF FIRE:** An open internal fuse indicates a catastrophic failure of circuit component(s). Repair must be by authorized IPD personnel only. Refer to fuse rating on power supply circuit board for rating.
- WARNING!** Modification of this equipment is prohibited without the authorization of the manufacturer.
- SEPERATION:** Primary to secondary creepage distance is 6mm minimum, clearance 3.2mm minimum (2MOOP). Primary to ground creepage distance is 3mm minimum, clearance 1.6mm minimum (1MOOP). Secondary to ground creepage is 2.3mm minimum, clearance 1.4mm minimum (Operational Insulation). The required seperation must be maintained in the end use equipment to preserve the established means of protection.
- OUTPUTS:** The outputs are not acceptable for patient connection without additional isolation. All outputs are SELV under normal and single fault conditions unless otherwise indicated.
- TEMPERATURES:** The maximum operating temperatures of safety components as defined in the applicable safety standards must not be exceeded after installation in the end use equipment. Output power, ambient air temperature and convection or forced air cooling availability should be considered in the end use equipment.
- HIPOT:** In consideration of IEC 60601-1:2005 Clause 8.8, care must be taken to insure the voltage applied to a reinforced insulation does not overstress different types and levels of insulation. Breakdown of basic insulation and catastrophic failure of the power supply may result if a test voltage of greater than 1500 VAC is applied between primary and secondary circuits. Each isolating component is factory tested at 3000 VAC minimum prior to installation. Primary and secondary to ground capacitors may need to be disconnected prior to performing a dielectric strength test on the power supply or the end product.
- INSTALLATION:** The power supplies included in model listing on reverse side are considered components intended for professional installation into end use equipment. The protective earth (ground) terminal must be bonded to protective earth in the end use equipment.
- CONNECTIONS / DIMENSIONS:**



- AIR FLOW:** Airflow Direction: 1-Optimum, 2- Good, 3- Fair
- CONNECTORS:**
- P1: DC Input - .156 friction lock header mates with Tyco 640250-4 or equivalent crimp terminal housing with Tyco 3-640706-1 or equivalent crimp terminal
- P2: DC Output (Single Outputs) - .156 friction lock header mates with Tyco 770849-8 or equivalent crimp terminal housing with Tyco 3-640707-1 or equivalent crimp terminal.
- P2: DC Output (Multiple Outputs) - .156 friction lock header mates with Tyco 1-770849-0 or equivalent crimp terminal housing with Tyco 3-640707-1 or equivalent crimp terminal.
- G: Ground- .187 quick disconnect terminal.
- P3: P.G./Sense (Single) - .100 breakaway header mates with Molex 50-57-9006 or equivalent crimp terminal housing with Molex type 71851 or equivalent crimp terminal.
- P3: Power Good (Multi) - .100 breakaway header mates with Molex 50-57-9002 or equiv. crimp terminal housing with Molex type 71851 or equiv. crimp terminal.