

## ELS-120 SERIES OPERATING INSTRUCTIONS

**INPUT RATING:** 100-240VAC, 5A, 50-60 Hz.

**OUTPUT RATING:** 120-150 Watts Maximum Total Continuous Output Power Internal Fan Cooled.  
Refer to Product Data Sheet for additional derating requirements.

MODEL LISTING:	MODEL	OUTPUT 1	OUTPUT 2	OUTPUT 3
	ELS-120-3001	+5V/12A	+24V/3A	-12V/1A
	ELS-120-3002	+5V/12A	+24V/3A	-15V/1A
	ELS-120-3003	+5V/12A	+12V/3A	-12V/2A
	ELS-120-3004	+5V/12A	+15V/2A	-15V/2A
	ELS-120-3005	+5V/12A	+24V/3A	-24V/1A
	ELS-120-3006	+12V/7A	+24V/1A	-5V/2A
	ELS-120-3007	+24V/4A	+5V/2A	-12V/1A
	ELS-120-3008	+24V/4A	+5V/2A	-15V/1A
	ELS-120-2001	+5V/12A	+12V/5A	-
	ELS-120-2002	+5V/12A	+15V/4A	-
	ELS-120-2003	+5V/12A	+24V/3A	-
	ELS-120-2004	+12V/9A	+5V/3A	-
	ELS-120-2005	+12V/8A	-12V/2A	-
	ELS-120-2006	+12V/8A	+15V/2A	-
	ELS-120-2007	+12V/8A	+24V/1A	-
	ELS-120-2008	+15V/8A	-15V/2A	-
	ELS-120-2009	+24V/4A	+12V/2A	-
	ELS-120-2010	+24V/4A	+15V/2A	-
	ELS-120-1001	12V/12.5A	-	-
	ELS-120-1002	15V/10.0A	-	-
	ELS-120-1003	24V/6.3A	-	-

**NOTES:**

- Suffix added to the model number indicates the following configurations:  
C14 – AC Input, IEC320-C14, Standard  
C6 – AC Input, IEC320-C6, Option

**CLASSIFICATION:**

- Protection against electric shock - Class I.
- Protection against harmful ingress of particulate and water – IP30.
- Suitability for use in an oxygen rich environment - End user responsibility, not evaluated.

**IMPORTANT SAFETY PRECAUTIONS:**

- Only use an AC line cord with appropriate IEC320 connector and recommended DC output mating connector.
- Firmly connect AC line cord and DC power cord in place.
- Unit does not have any user-serviceable components. Do not open the device, or make any attempt to disassemble or modify it.
- For indoor use only. Avoid placing this product in direct sunlight, or operating in temperatures below -20°C or above 70°C.
- Position unit in well-ventilated area.
- Do not rest any object on the unit, or block the ventilation holes during operation.
- When in use, maintain horizontal position with rubber feet facing down onto a flat surface.
- Do not operate this product with damaged input/output cords or connectors.
- Insure that the supply voltage for this external power supply is within safe operating range, as shown in the nameplate data label located on the bottom of the unit.

**DISPOSAL:**

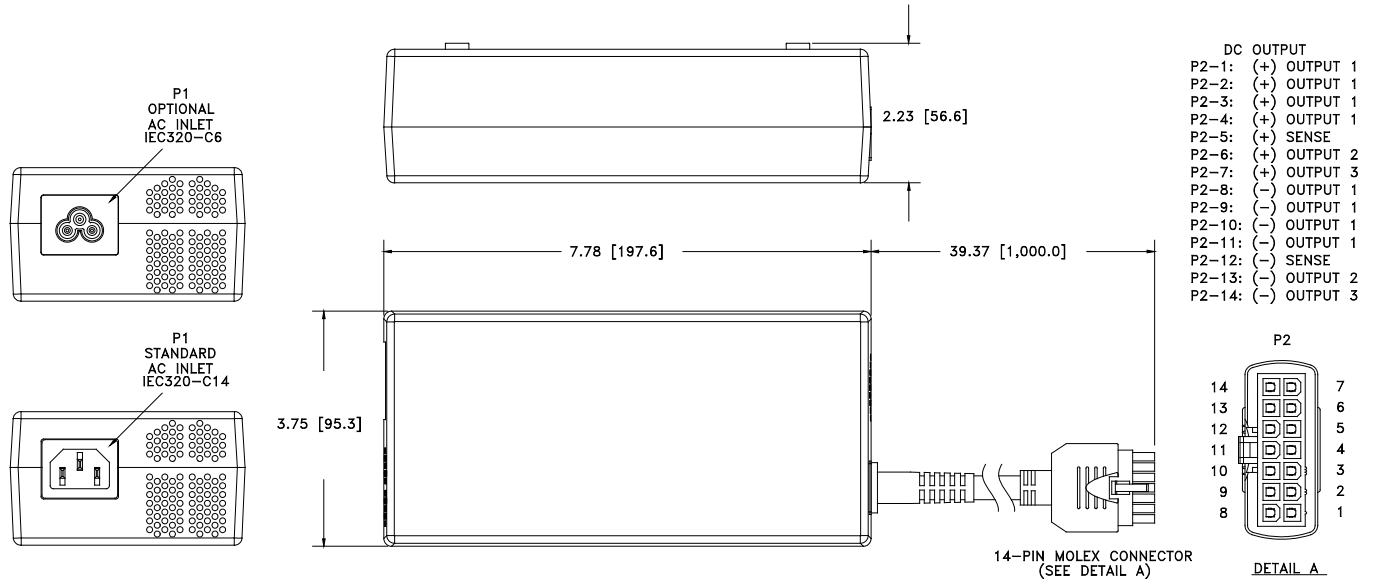


Do not dispose of electrical appliances as unsorted municipal waste, use separate collection facilities instead. Contact your local authorities for information regarding the collection systems available. Penalties may be applicable for incorrect disposal of this waste, in accordance with your national legislation.

**CONNECTOR SPECIFICATIONS:**

P1-(AC Input)	IEC320-C14.
P1-(Optional AC Input)	IEC320-C6.
P2 (DC Outputs 1-3)	Molex Mini-Fit Jr., 39-01-2145. Mates with 5559 Mini-Fit Jr. or equivalent housing with 5558 Mini-Fit or equivalent crimp terminal.

**DIMENSIONS:**



**DECLARATION OF CONFORMITY**

Manufacturer: Integrated Power Designs, Inc.  
Manufacturer's Address: 300 Stewart Road, Wilkes-Barre, PA 18706 USA

Declares all models listed above including all options are in compliance with the following European Community Directives:

**Low Voltage Directive 2014/35/EU of 26 February 2014**  
**RoHS Directive 2011/65/EU of 8 June 2011**

In addition, all models are Certified to be in compliance with applicable requirements of UL 62368-1:2014, UL 60601-1 1st Edition, ANSI/AAMI ES6061-1:2005 (R) 2012, IEC 62368-1:2014, IEC 60601-1:1988 +A1:1991 +A2:1995 and IEC 60601-1:2005/A1:2012 including all EU national deviations, CAN/CSA C22.2 No. 62368-1-14, CAN/CSA-C22.2 No. 601-1-M90, CAN/CSA-C22.2 No. 60601-1:2014, EN 62368-1:2014, EN 60601-1/A2:1995 and EN 60601-1:2006/ A1:2012.

BY: Steven Thompson- President

PLACE: Integrated Power Designs  
300 Stewart Road, Wilkes-Barre, PA 18706 USA

DATE: February 8, 2017

**EUROPEAN CONTACT:**

Compumess Elektronik GmbH  
Lise-Meitner-Strasse 1  
85716 Unterschleißheim  
Telephone (089) 32 15 01-0