

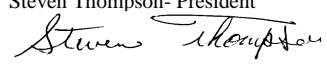
GRN-60 SINGLE SERIES OPERATING INSTRUCTIONS

INPUT RATING: 100-240VAC, 2 A, 50-60 Hz.

OUTPUT RATING: 60 Watts Maximum Total Continuous Output Power.

MODEL LISTING:	MODEL	OUTPUT	P _{OUT}
	GRN-60-1001	+3.3V/9.0A	30W
	GRN-60-1002	+5.0V/9.0A	45W
	GRN-60-1003	+12V/5.0A	60W
	GRN-60-1004	+15V/4.0A	60W
	GRN-60-1005	+24V/2.5A	60W
	GRN-60-1006	+28V/2.2A	60W
	GRN-60-1007	+48V/1.3A	60W
	GRN-60-1008	+19V/3.1A	60W

NOTES: 1. A suffix may be added to the model number to indicate the following optional configurations:
(CH-chassis, CO-cover, TS-terminal strip, DF- dual fuses).

CE	<u>DECLARATION OF CONFORMITY</u>	UK CA
<p>Manufacturer: Integrated Power Designs, Inc. Manufacturer's Address: 300 Stewart Road, Wilkes-Barre, PA 18706 USA Product Type: Switchmode AC-DC Power Supply</p>		
<p>Declares all models listed above including all options are in compliance with the following European Community Directives:</p> <p>Low Voltage Directive 2014/35/EU of 26 February 2014 RoHS Directive 2015/863/EU of 31 March 2015</p> <p>As well as with the requirements set out in the Laws of the United Kingdom relating to and applying the following standards:</p> <p>Electrical Equipment (Safety) Regulations 2016 SI No. 1101 BS EN 62368-1:2014 Restriction of the Use of Certain Hazardous Substances in Electrical and Electronic Equipment Regulations 2012 SI No. 3032 + 2019 SI No.492</p> <p>In addition, all models are Certified to be in compliance with applicable requirements of UL 62368-1:2014, ANSI/AAMI ES60601:2005/(R) 2012, IEC 62368-1:2014 and IEC 60601-1:2005/A1:2012 including all EU national deviations, CAN/CSA-C22.2 No. 62368-1-14, CAN/CSA- C22.2 No. 60601-1:2014, EN 62368-1:2014 and EN 60601-1:2006/A1:2013.</p>		
<p>BY: Steven Thompson- President </p> <p>PLACE: Integrated Power Designs 300 Stewart Road, Wilkes-Barre, PA 18706 USA</p> <p>DATE: February 16, 2021</p>	<p>EUROPEAN CONTACT: Compumess Elektronik GmbH Lise-Meitner-Strasse 1 85716 Unterschleißheim Telephone (089) 32 15 01-0</p>	<p>UK CONTACT: ALL PSU LTD Laser Quay, Culpeper Close Rochester Kent ME2 4HU Tel : 01634 725527</p>

- CLASSIFICATION:**
1. Protection against electric shock – Class I
 2. Protection against harmful ingress of water – IPX0 (Non-protected), ordinary.
 3. Methods of sterilization- None.
 4. Suitability for use in an oxygen rich environment – End user responsibility, not evaluated.
 5. Mode of operation – Continuous

WARNING! RISK OF FIRE! An open internal fuse indicates a catastrophic failure of circuit component(s). Repair must be by authorized IPD personnel only. Refer to fuse rating on power supply circuit board for rating.

WARNING! SHOCK HAZARD! Dangerous voltages are present on some components, printed circuit board traces and heatsinks. All GRN-60 Single products may continue running for several minutes after AC power is removed.

INPUT FUSE: Standard models include only one UL-listed fuse in the line conductor of the input circuit. In consideration of clause 8.11.5 of IEC 60601-1-1:2005, a second fuse may be required in the neutral conductor of the end product, and may need to have high breaking capacity as determined by the end product application. Models with the DF suffix include a fuse in the line and neutral leads. With high breaking capacity fuses, maximum product height specification may be exceeded in open frame configuration.

SEPARATION: Primary to Secondary creepage distance is 8mm minimum, clearance 5mm minimum (2MOPP). Primary to Ground creepage distance is 4mm minimum, clearance 2.5mm minimum (1MOPP). Secondary to Ground creepage distance is 2.3mm minimum, clearance 1.4mm minimum (Operational Insulation). Required separation must be maintained in the end product to preserve the established means of protection.

OUTPUTS: Outputs are not acceptable for patient connection without additional isolation. Output is ES1 under normal and single fault conditions unless otherwise indicated.

TEMPERATURES: The maximum operating temperatures of safety components as defined in the applicable safety standards must not be exceeded after installation in the end use equipment.

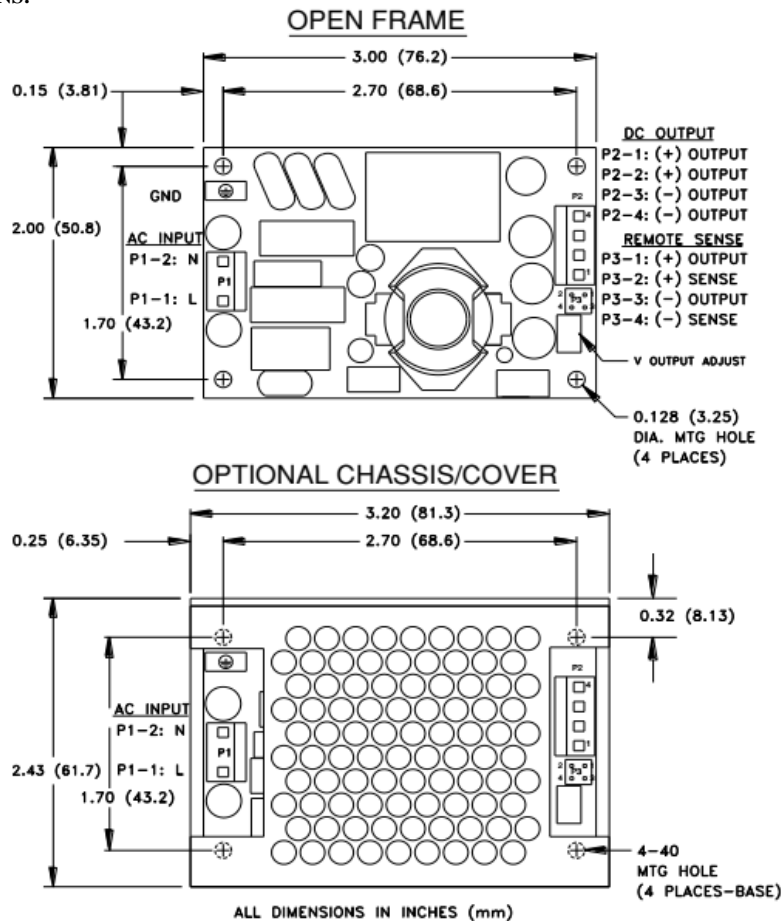
HIPOT: In consideration of IEC 60601-1:2005 Clause 8.8.3, care must be taken to insure the voltage applied to a reinforced insulation does not overstress different types and levels of insulation. Breakdown of basic insulation and catastrophic failure of the power supply may result if a test voltage of greater than 1800 VAC is applied between primary and secondary circuits. Each isolating component is factory tested at 4000 VAC minimum prior to installation. Primary and secondary to ground capacitors may need to be disconnected prior to performing a dielectric strength test on the power supply or the end product.

INSTALLATION: These power supplies are considered components intended for professional installation into end use equipment. The protective earth (ground) terminal must be bonded to protective earth in the end use equipment.

EMISSIONS: This product was tested for compliance with EN 55022 and EN 55011 Class B conducted and radiated emissions using the techniques listed below and non-inductive load resistors to simulate operation in a typical installation. All or a combination of the following requirements may be necessary to insure compliance in the end use equipment.

1. Installation of the power supply, output cables and loads in a shielded enclosure.
2. Use of optional chassis and cover.
3. Use of shielded I/O cables.
4. Use of ferrite beads on I/O cables.
5. Grounded output returns.

CONNECTIONS / DIMENSIONS:



CONNECTORS:

- | | |
|----------------|---|
| P1 (AC Input) | 0.156 friction lock header mates with TE Connectivity 640250-3 or equivalent crimp terminal housing with TE Connectivity 3-640706-1 or equivalent crimp terminal. |
| P2 (DC Output) | 0.156 friction lock header mates with TE Connectivity 770849-4 or equivalent crimp terminal housing with TE Connectivity 3-640707-1 or equivalent crimp terminal. |
| P3 (DC Sense) | 0.100 breakaway header mates with Molex 22-55-2041 or equivalent crimp terminal housing with Molex 71851 or equivalent crimp terminal. |
| GND (Ground) | 0.187 quick disconnect terminal |